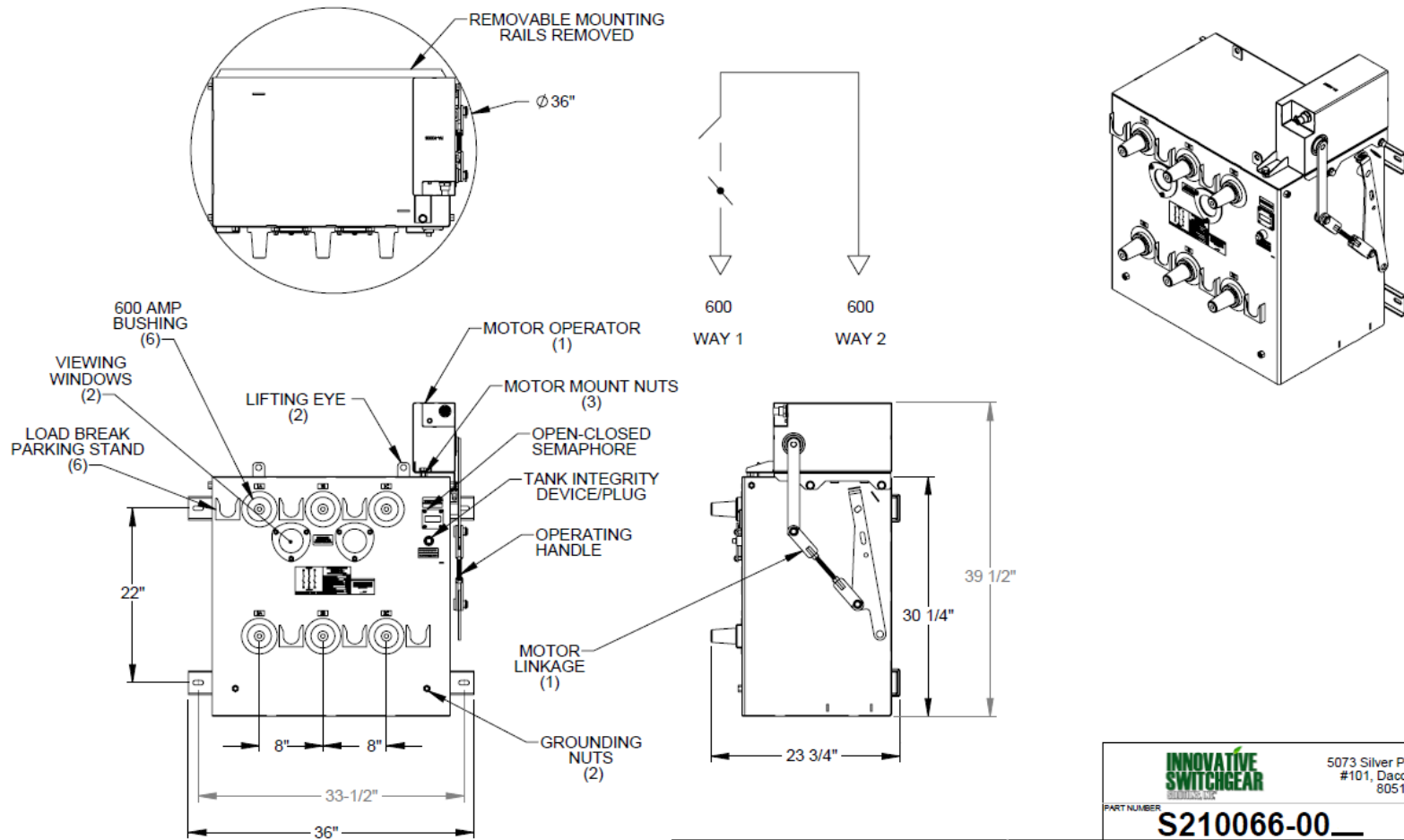


INNOVATIVE SWITCHGEAR™

Smarter, Safer Solutions



THE INFORMATION CONTAINED IN THIS DRAWING IS THE SOLE PROPERTY OF ISSI. ANY REPRODUCTION IN PART OR AS A WHOLE WITHOUT THE WRITTEN PERMISSION OF ISSI IS PROHIBITED

MATERIAL
304 STAINLESS STEEL
FINISH
NATURAL
WEIGHT
APPROX. 370 LBS

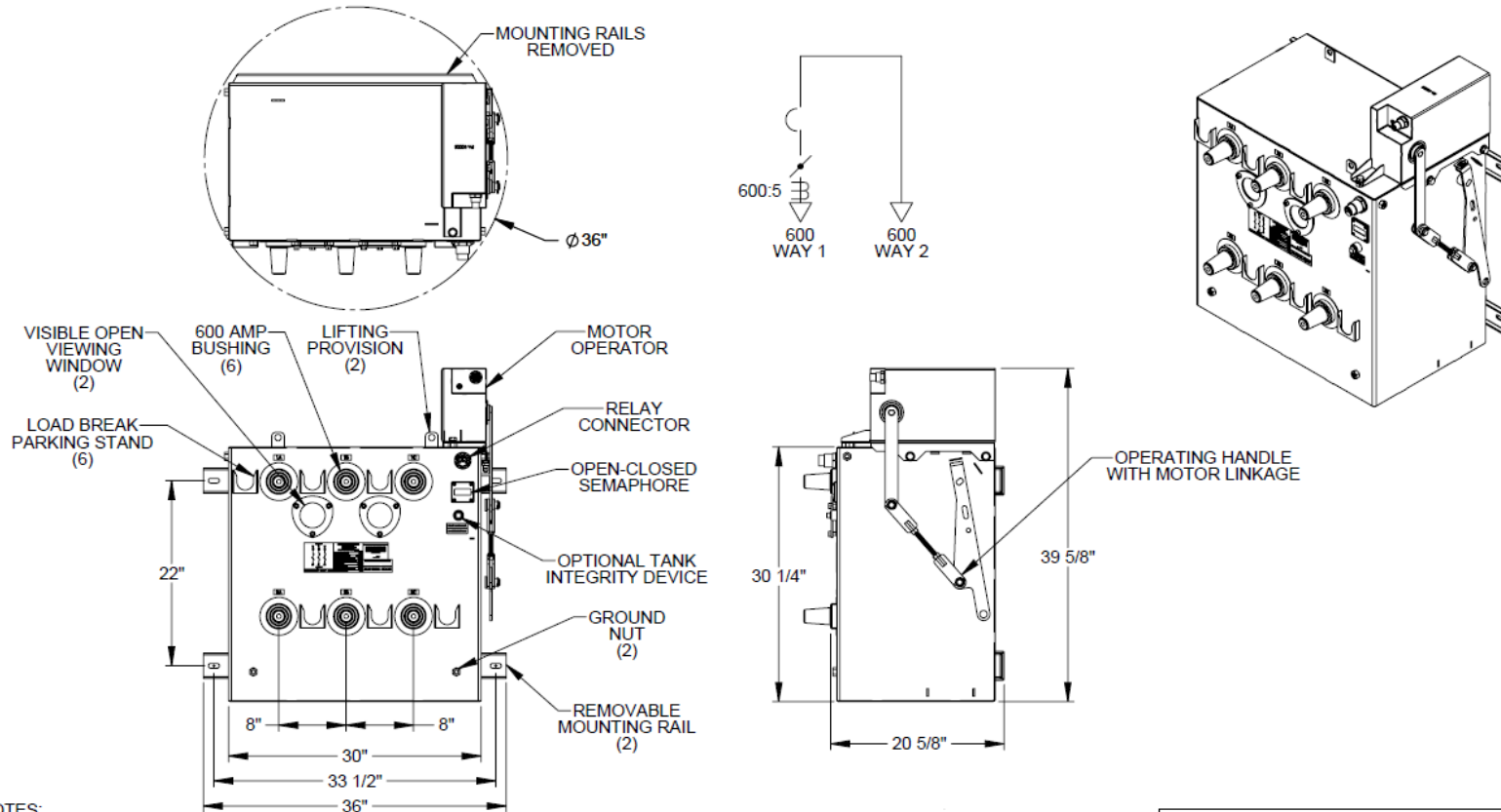
UNLESS OTHERWISE SPECIFIED DIMENSIONS ARE IN INCHES
UNLESS OTHERWISE SPECIFIED TOLERANCE ARE: ± 1/16

DATE 18 SEP 2014
DATE 16 AUG 2015
ALL DIMENSIONS PER ASME Y14.5 1994

		5073 Silver Peaks Ave. #101, Dacono CO. 80514	
PART NUMBER S210066-00			
DESCRIPTION WALLMOUNT, 25KV, 12.5KA, 2 WAY WALL MOUNTED SWITCH, WITH VISIBLE OPEN ISOLATION POINT			
DRAWING NUMBER S210066-00		REV 1-05	
DO NOT SCALE DRAWING		CAD FILE S210066-00- 1 OF 1	

INNOVATIVE SWITCHGEAR™

Smarter, Safer Solutions



NOTES:

- PACKAGE INCLUDES: (1) S201066-007 SWITCH TANK, (1) CT SHORTING PLUG, (1) MOTOR OPERATOR WITH HANDLE LINKAGE, (1) SINGLE MOTOR PENDANT CONTROL, (1) 50FT EXTENSION CABLE FOR PENDANT CONTROL, (1) CT-POWERED RELAY
- WEIGHT OF SWITCH TANK APPROX 420 LBS
WEIGHT OF MOTOR OPERATOR APPROX 35 LBS

PROPRIETARY AND CONFIDENTIAL INFORMATION
THE INFORMATION CONTAINED WITHIN THIS DRAWING IS PROPRIETARY, MEANING IT IS THE SOLE PROPERTY OF INNOVATIVE SWITCHGEAR SOLUTIONS, INC AND IS THE SUBJECT OF TRADE SECRET PROTECTION. DISCLOSURE OF THIS INFORMATION TO ANYONE MUST BE PURSUANT TO TERMS OF A NON-DISCLOSURE AGREEMENT, AND ANY REPRODUCTION OR TRANSMISSION IN PART OR IN WHOLE WITHOUT THE EXPRESS WRITTEN CONSENT OF INNOVATIVE SWITCHGEAR IS STRICTLY PROHIBITED.

MATERIAL: 304 STAINLESS STEEL
FINISH: NATURAL
WEIGHT: SEE NOTES

UNLESS OTHERWISE SPECIFIED DIMENSIONS ARE IN INCHES
UNLESS OTHERWISE SPECIFIED TOLERANCES ARE: ± 1/16

ENG: P. SCHIEL DATE: 29 AUG 2016
DRAWN: P. SCHIEL DATE: 29 AUG 2016
ENG APPR: DATE:
ALL DIMENSIONS PER ASME Y14.5 1994

		5073 Silver Peaks Ave. #101, Dacono CO. 80514	
PART NUMBER		S201066-00__	
DESCRIPTION			
SUBMERSIBLE, 25KV, 12.5KA, 2WAY WALLMOUNT, 1WAY VFI PROTECTED WITH VISIBLE OPEN ISOLATION POINT			
DRAWING NUMBER		S201066-00__	
DO NOT SCALE DRAWING		CAD FILE S201066-00__	REV 1-02
		1 OF 2	